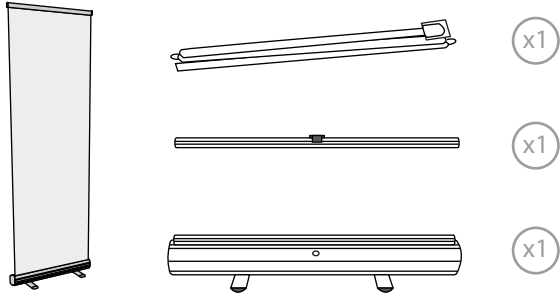


1. GRAPHIC UPPER ATTACHMENT



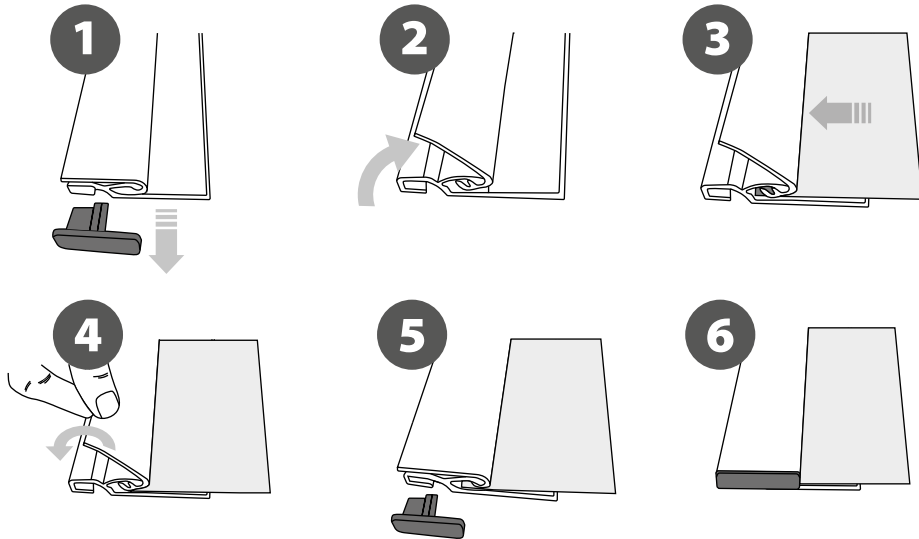
CONTENT



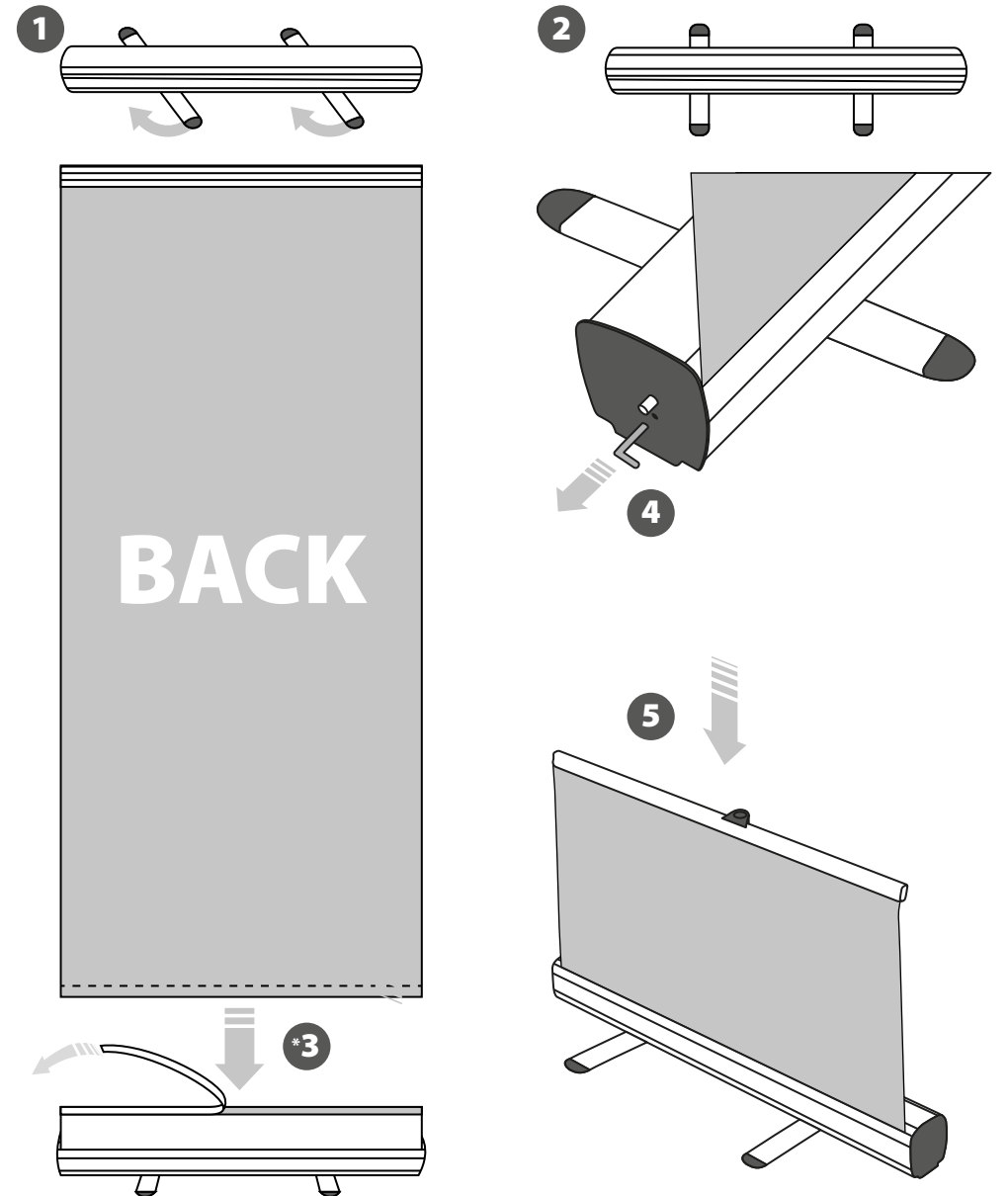
Open the bag, check the content of the bag and take out all the pieces carefully.

To set-up the Roll Up, first you must attach its graphic (supplied separately) to the upper profile following the next steps showed below.

GRAPHIC ATTACHMENT BY SNAP RAIL

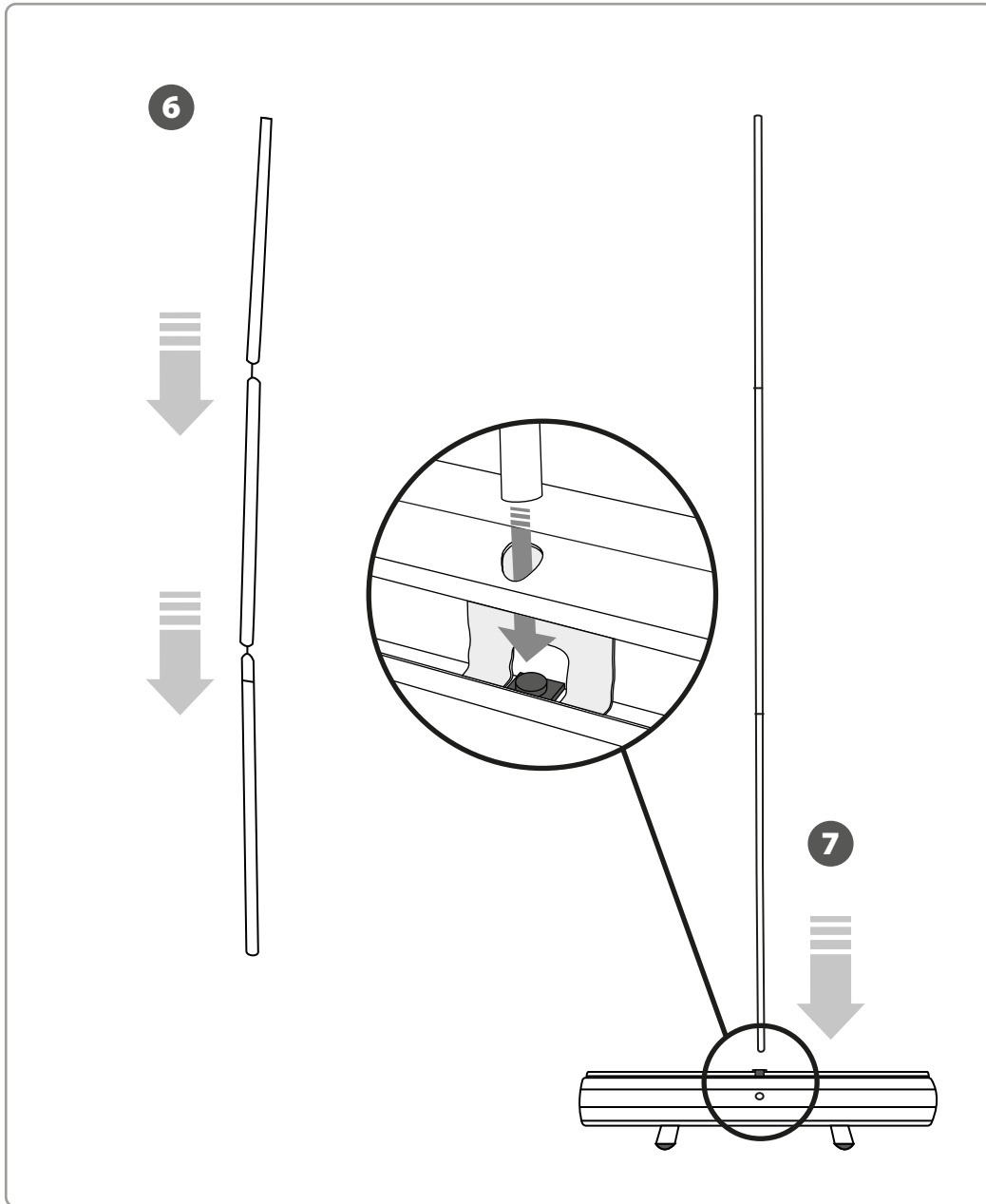


2. SET UP THE ROLL UP STRUCTURE



BACK

3. GRAPHIC BOTTOM ATTACHMENT



4. ROLLING UP THE GRAPHIC

